

# TECHNICAL DATA SHEET - Articulating Wall Arm for LCD Screens

**peerless**<sup>®</sup>  
Solid Solutions - Solid Support™

MODELS: SA730P, SA730P-S, RTLA 100, RTLA 100-S



This versatile and contemporary LCD mount makes it easy to put a small flat panel screen on a wall, on the side of a kitchen or bathroom cabinet or just about anywhere. Three pivot-points and a ball and socket joint allows for limitless adjustments to help gain the perfect view. Feel free to turn the screen all the way around a cabinet to view from another room. Its unique internal cord management channels make for a clean installation.

### Features:

- Fits 10"-20" LCD screens
- Frees up space by folding flat against the wall
- Three pivot points for limitless adjustments
- Ball joint design at screen for easy side-to-side movement and  $\pm 35^\circ$  of tilt
- Offers 180° of swivel on a wall
- Sleek aluminum design for a clean look
- Built-in internal cord management channels
- Includes hardware for installation to a single wood stud or concrete
- Comes with VESA<sup>®</sup> 75/100 screen adapter plate

### Accessories:

- Metal stud wall accessory kit - ACC 908

### Dimensions:

**SA730P, SA730P-S**      **RTLA 100, RTLA 100-S**

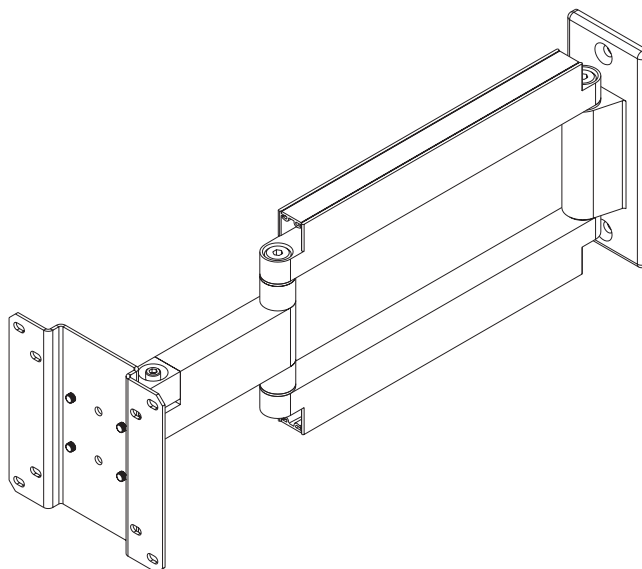
**Weight:**  
2.9 lb (1.3 kg)              2.9 lb (1.3 kg)

**Shipping weight:**      **Shipping weight:**  
3.3 lb (1.5 kg)              3.4 lb (1.5 kg)

**Maximum Load Capacity:**  
25.0 lb (11.4 kg)

### Shipping Carton Dimensions:

**L** = 12.25 in (311 mm)  
**W** = 6.25 in (159 mm)  
**H** = 3.25 in (83 mm)



## ARCHITECTS SPECIFICATIONS

The LCD Screen Adjustable Wall/Cabinet Mount shall be a Peerless model \_\_\_\_\_ and shall be located where indicated on the plans. Assembly and installation shall be done according to instructions provided by the manufacturer. Mount is made of anodized aluminum and adapter bracket is made of steel with a scratch resistant epoxy silver finish.

Peerless Industries, Inc.  
3215 W. North Ave. Melrose Park, IL 60160  
708-865-8870 800-865-2112 Fax 708-865-2941  
[www.peerlessmounts.com](http://www.peerlessmounts.com)

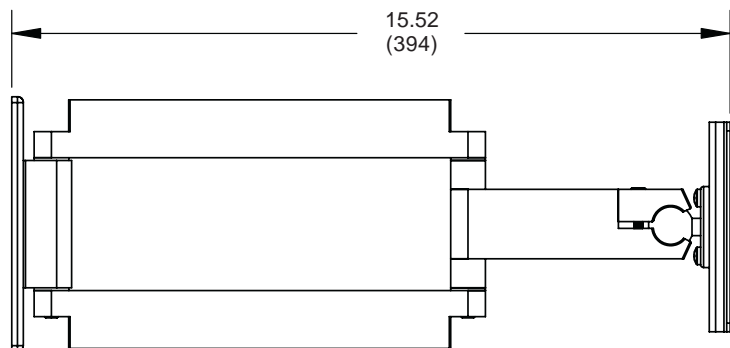
ISSUED: 05-24-05 SHEET NO: 095-9681-2 08-24-05

©2005 Peerless Industries, Inc. All rights reserved.  
Peerless is a registered trademark of Peerless Industries, Inc.  
All other brand and product names are trademarks or registered trademarks of their respective owners.

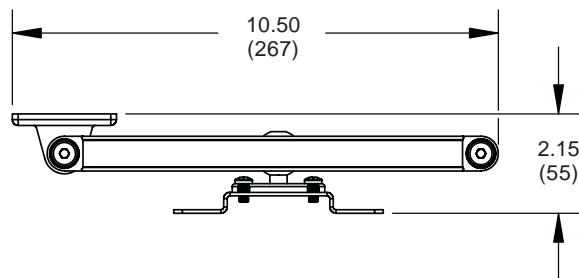
TECHNICAL DATA SHEET

MODELS: SA730P, SA730P-S, RTLA 100, RTLA 100-S

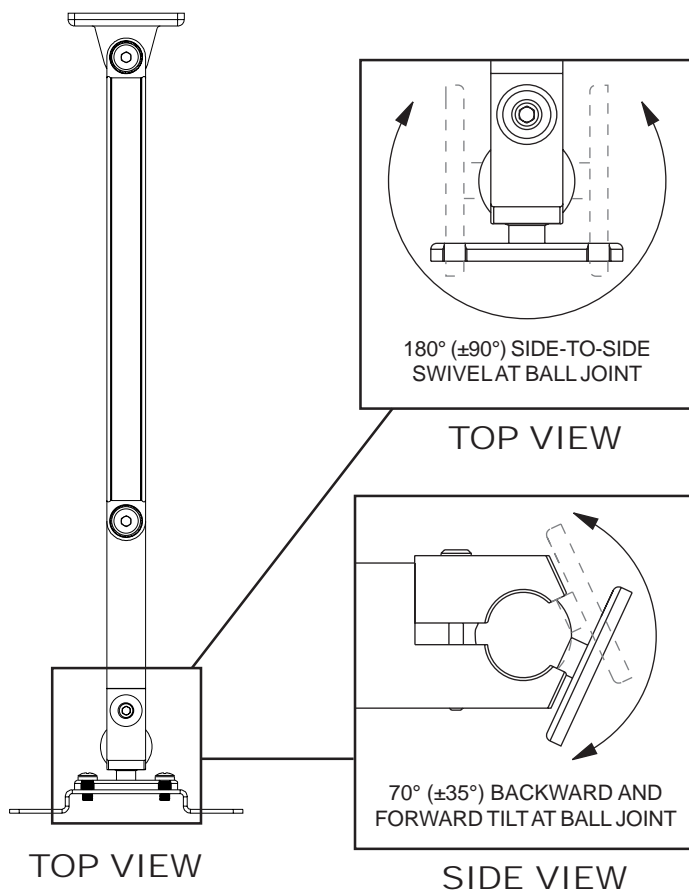
ALL DIMENSIONS = INCH (MM)



RIGHT VIEW



TOP VIEW



TOP VIEW

SIDE VIEW

TECHNICAL DATA SHEET

MODELS: SA730P, SA730P-S, RTLA 100, RTLA 100-S

ALL DIMENSIONS = INCH (MM)

